


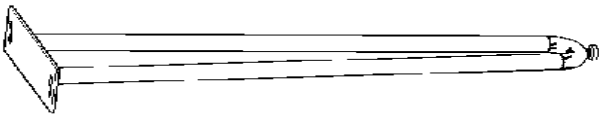
Media Console(AWDD1020)





Thank you for purchasing our Media Console. It will be helpful to have a second person available during the assembly of this product.

Assembly Instructions

Lay out all parts on a “non-abrasive” surface to avoid scratching the furniture.

NO.	DRAWING	DESCRIPTION	QTY.
A		TOP	1
B		LEG	4

NO.	DRAWING	DESCRIPTION	QTY.
C		M8×25MM BOLT	8
D		ALLEN KEY	1

Step 1

Read through these instructions thoroughly before beginning assembly. We have found this to be of great value when first assembling this product.

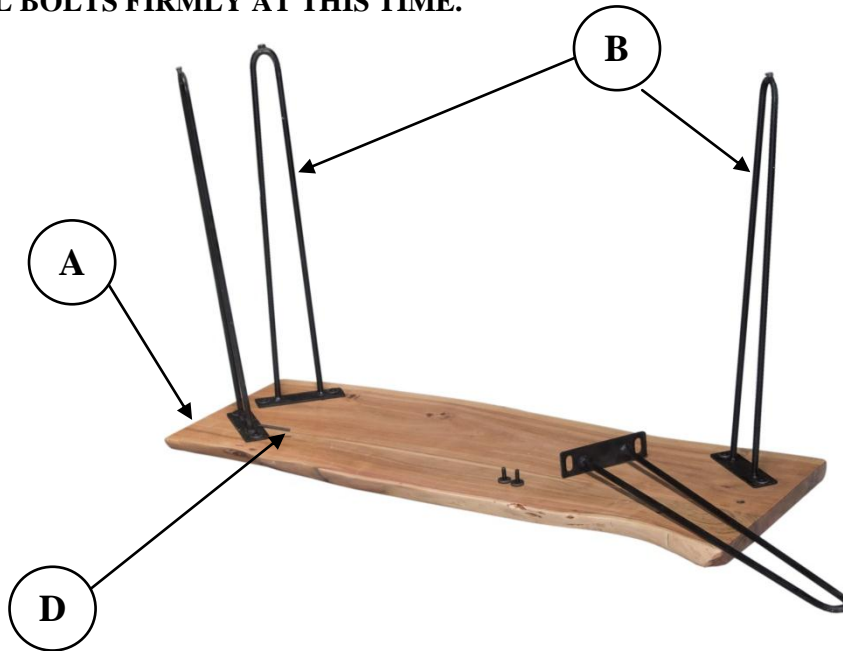
Step 2

Remove all parts and hardware from packing material. Wooden pieces should be placed on a non abrasive surface (like the carton or carpet) to prevent damage to the finish.

Step 3

Lay Top (A) upside down and attach 4 Legs (B) using 8, 8M×25MM Bolts (C)

TIGHTEN ALL BOLTS FIRMLY AT THIS TIME.



Step 4



TIGHTEN ALL BOLTS FIRMLY AT THIS TIME USING ALLEN KEY (D). SET MEDIA CONSOLE UPRIGHT.

CARE

Clean with mild soap and wipe dry.

REPLACEMENT PARTS:

For best service, to order replacement parts go to www.alaterrefurniture.com.
Use the order from on the web site to order replacement parts.

Thank
You!